

DATA SHEET MERRY-GO-ROUND VERSO

Text for invitation to tender | Item No: 514021401



MATERIALS | SCOPE OF SUPPLY

Merry-go-round, pre-mounted completely

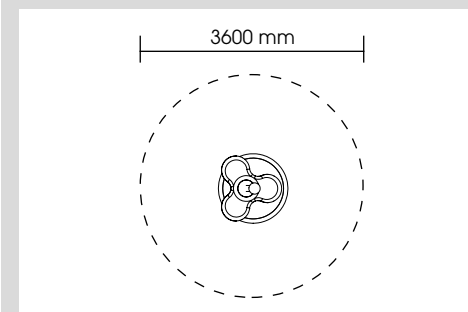
Flower seat:	EPDM caoutchouc with steel inlay, 1 piece
Handles:	stainless steel, V2A, with ball made of EPDM caoutchouc, 1 piece
Base plate:	stainless steel, V2A coated with EPDM granules, with ball bearing at the bottom
Foundation anchor:	galvanized steel

TECHNICAL INFORMATION

Dimensions:

Main dimension:	Ø 560 mm
Height:	930 mm
Weight:	41 kg
Capacity:	acc. to normative requirements
Dimension largest piece:	Ø 500 x 930 mm
Heaviest piece:	36 kg

Max. fall height:	530 mm
Impact area:	10,18 m ²
Required safety slabs:	16,00 m ²
Required lawn grating:	16,00 m ²
Recommended surface material:	grass, sand, wood chip, gravel, synth. impact protection



INSTALLATION

Foundations: 1
Modified installation depth possible
(special edition)
Installation according to our detailed mounting
instructions, see www.stilum.com

